

Bio Jute & Hessian Weed Mat Introduction



Use our bio-degradable, all natural, jute & hessian weed mats to improve growing conditions without the need for chemical treatment.

Fully biodegradable, these weed mats are made from jute fibres with a hessian backing and are available in two shapes - round or square.

Ideal for use around the base of a young tree plant, they are robust and easy to install, coming with a pre-cut slit (or 'spat').

These jute and hessian weed mats suppress weeds, protect plant roots from frost, and retain moisture in arid conditions, whilst allowing moisture to pass through in damp conditions.

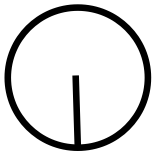
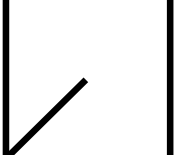
Benefits:


- Weed suppression
- Moisture control
- Temperature control
- Easy to install

Installation:

- Prepare flattened ground by weeding or strimming prior to installation.
- Wrap around base of plant.
- Fix into position with pegs or pins.
- See installation diagrams (pg 2) for more information.

Specifications:

Form	Mat	
Colour	Natural	
Composition Upper Layer	100% jute	
Composition Bottom Layer	Hessian	
Weight	575g/m ² (+/- 5%)	
Nominal thickness / depth	5.5mm	
Width	na	50cm
Length	na	50cm
Diameter	40cm	na
Area covered	0.125m ²	0.25m ²
Split / spat		

Opaque	Yes
Water permeable	Yes
Bio degradable	100%
Lifespan	Two to three growing seasons (approx 24 to 36 months depending on weather)
Recyclable	Compostable / organic material
	

Bio Jute and Hessian Weed Mat Installation

2/2

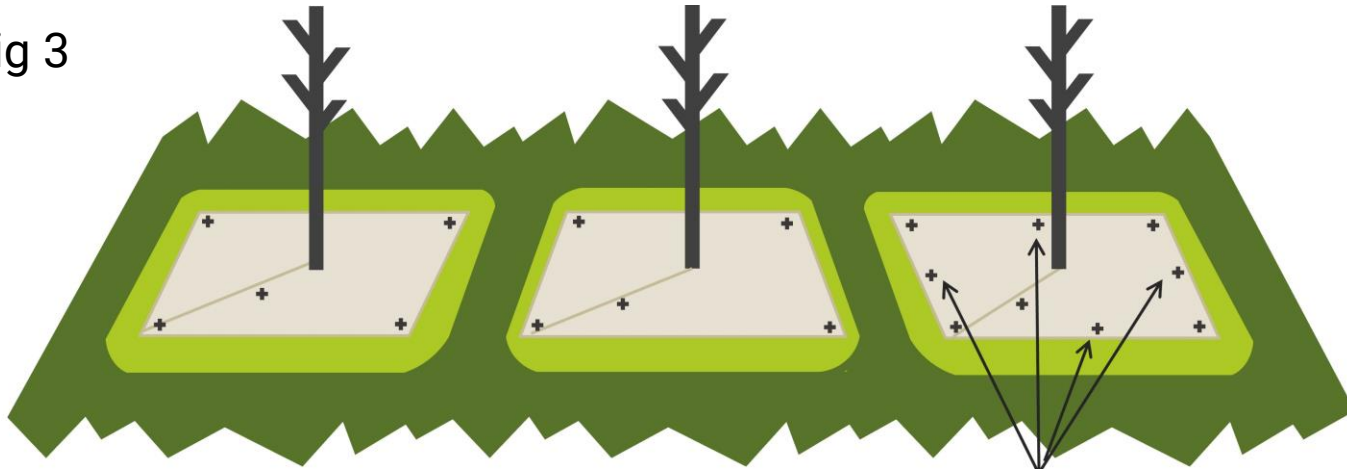
Fig 1



Fig 2



Fig 3



If windy use extra pegs or pins to hold mat in place (9 vs 5).

Fig 4



Fig 5



1. It is important to prepare the ground before laying your matting. Ideally weed the area and/or strim to create a flat surface (Fig 1).
2. Notch or pit plant your plant then wrap your mat around it's base, ideally overlapping the edges slightly to avoid weeds breaking through (Fig 2 and 4).
3. Fix the mat in place with pegs or metal pins.

For square mats we recommend 5 pegs or pins – located in the four corners and one in the middle of the overlap slit.

TIP: We recommend using an extra 4 pegs or pins (ie 9 in total) if you are using your square weed mat in a windy location. Position these extra pegs or pins between the corners – as indicated in Fig 3.

For our round bio jute and hessian weed mats we recommend using 5 pegs or pins – see Fig 5. Alternatively, you could overlap the slit and use one peg to hold both sides down (ie total 4 pegs).